

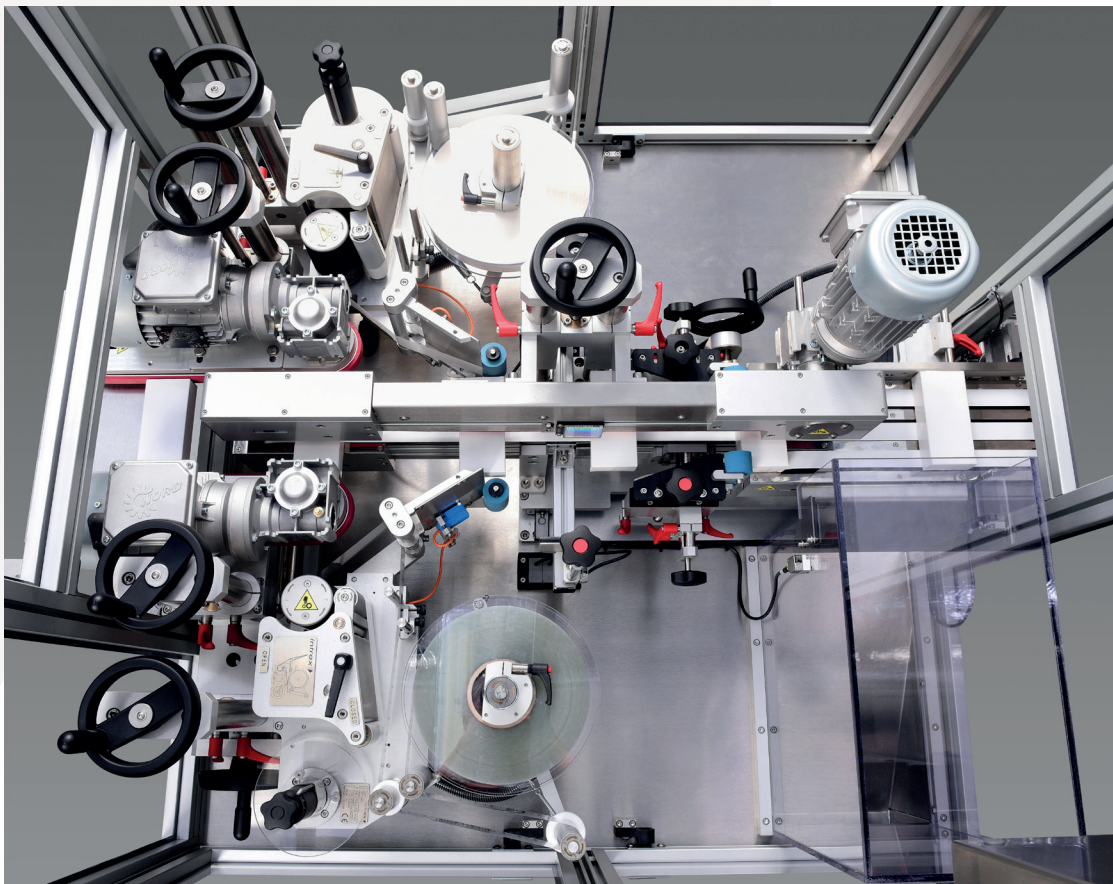


INTREX 50+ LABELLING HEAD

...> THE SMALLEST LABELLING HEAD OF THE SERIES

INTREX 50+ FEATURES:

- Maximum label width - 90 mm
- Label feed speed up to 45 m/min
- Multiple labelling option, 2 or more labels from one signal
- Ethernet connection for remote diagnostics
- Up to 100 labelling recipes storage
- Different software languages
- I/O communication ports (errors, speed encoders, printer signals, etc.)
- Password protected access to different settings levels (operator, maintenance, service)
- Simple integration with packaging machines
- Compact size
- Easy integration with any kind encoder



Two I50+ labelling heads installed inside machine.

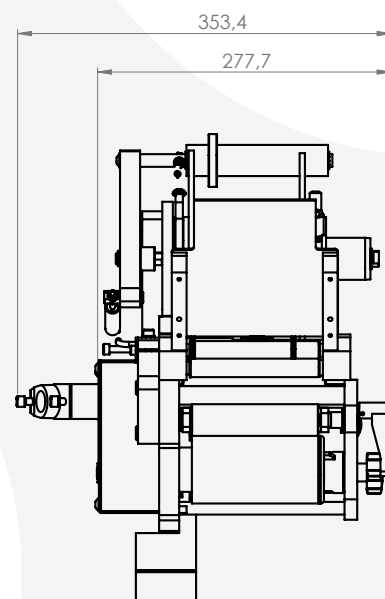
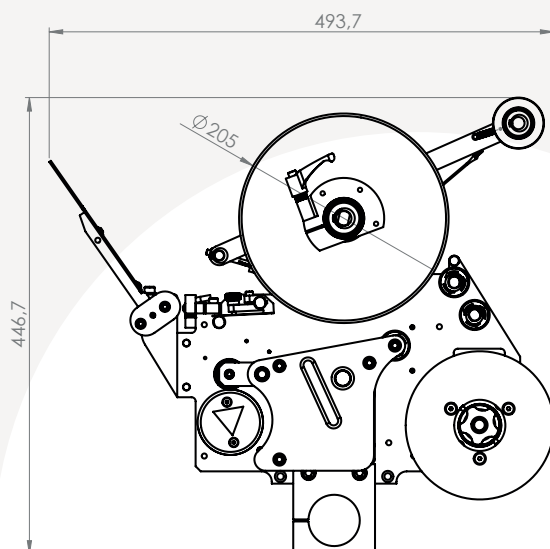
The real maximum labelling speed depends on the label, capacity, type of the labelled product and the kind of application.
The label feeding precision depends on the label and the labelled product properties.



PARAMETER

INTREX 50+

VERSIONS	Right Left
MAX LABEL LINER WIDTH	90 mm
MAX LABEL ROLL DIAMETER	200 mm
LABELLING SPEED *	Up to 45 m/min
LABEL FEEDING PRECISION **	± 0.8 mm
LABEL SENSOR	Optical Ultrasonic (optional)
CONTROLLER	Remote with 3.5" touch screen
MEMORY	100 recipes with alphanumeric names
CONFIGURABLE PARAMETERS	<ul style="list-style-type: none"> • Label positioning • 2 steps label feed • Speed: fixed or adaptive with encoder • Multiple labelling option, 2 or more labels from one signal
DRIVE	Stepper motor
POWER SUPPLY	-230 VAC, 50 Hz



*The real maximum labelling speed depends on the label, capacity, type of the labelled product and the kind of application.

**The label feeding precision depends on the label and the labelled product properties.