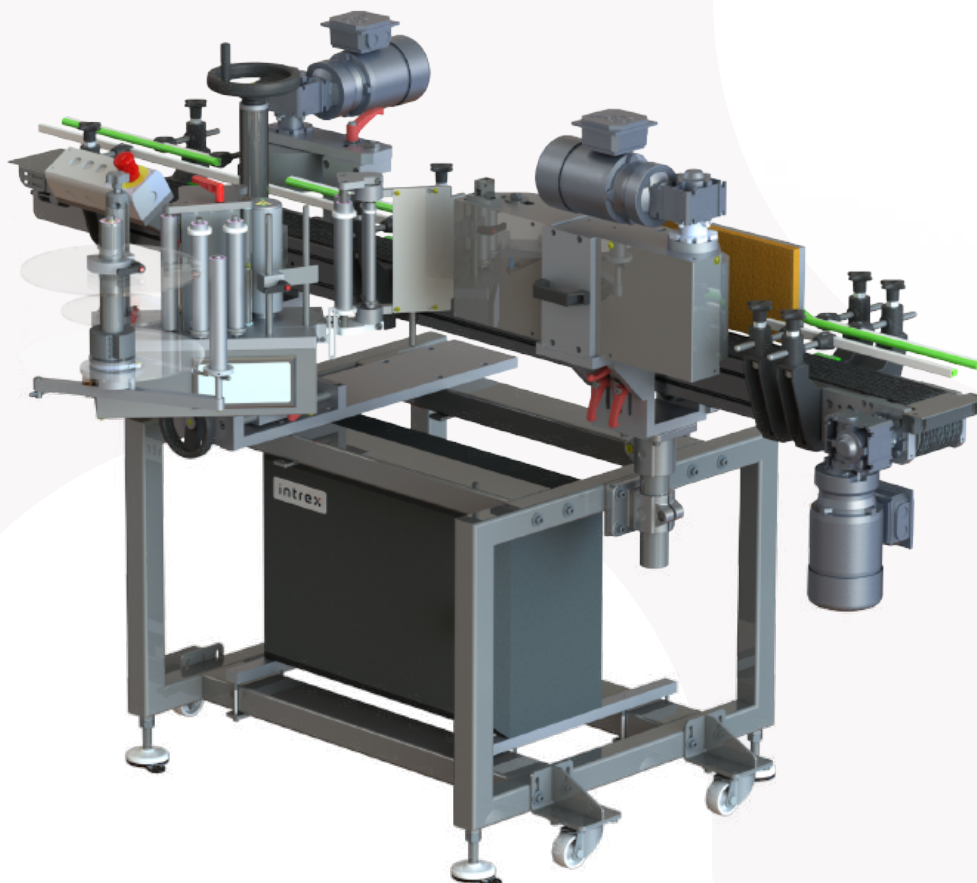


INTREX SET 1001

CYLINDRICAL PRODUCTS WRAP AROUND LABELLING

- Simple solution labelling cylindrical products, such as bottles, cans, jars and more
- Capacity up to 100 products per minute
- Up to 160 mm label height
- Quick and easy changeover
- Possibility to work as a standalone device and as a part of a line
- Compact design and small footprint
- Casters mounted to the frame, for easy machine transportation
- Ink-Jet, thermal transfer printer or laser integration for product coding and marking



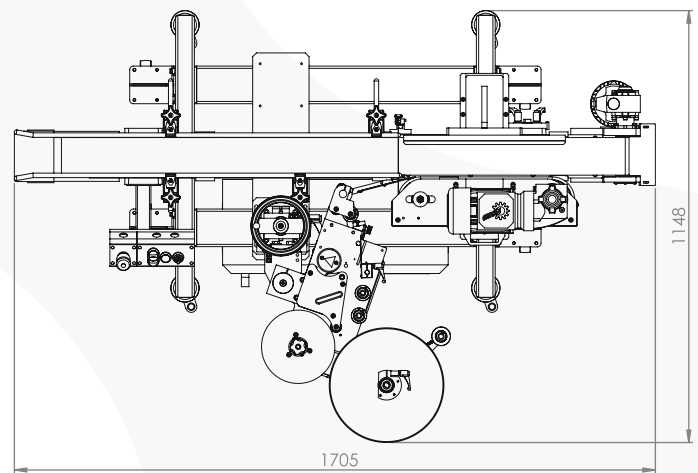
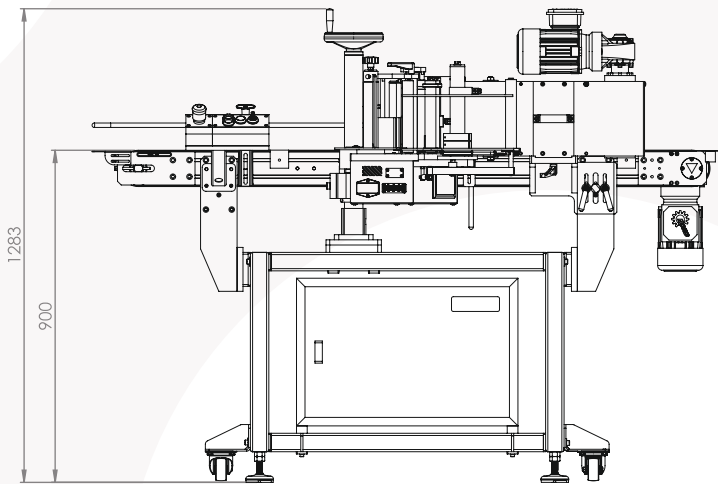
The real maximum labelling speed depends on the label, capacity, type of the labelled product and the kind of application.
The label feeding precision depends on the label and the labelled product properties.



PARAMETER

INTREX SET 1001

LABELLING HEAD	INTREX 100 + 90 300	INTREX 100+ 160 300
MAXIMUM LABEL WIDTH (HEIGHT ON THE PRODUCT)	90 mm	160 mm
MAXIMUM LABEL ROLL DIAMETER (UNWINDER)	300 mm (optional: 350 mm) thimble 40 mm or 76 mm	
LABEL SENSOR	Optical (optional: sensor for transparent labels)	
MAXIMUM CAPACITY	Up to 100 products per minute	
PRODUCT DIAMETER	Ø 30-100 mm	
INTREX SMART PANEL	Control panel integrated with labelling head, 16 labelling programs memory	
CONVEYOR	Belt conveyor (width 100 mm, length 1500 mm)	
SIDE BELT	Foam (width 90 mm, length 400 mm)	
POWER SUPPLY	230 VAC, 50 Hz	



The real maximum labelling speed depends on the label, capacity, type of the labelled product and the kind of application.
The label feeding precision depends on the label and the labelled product properties.